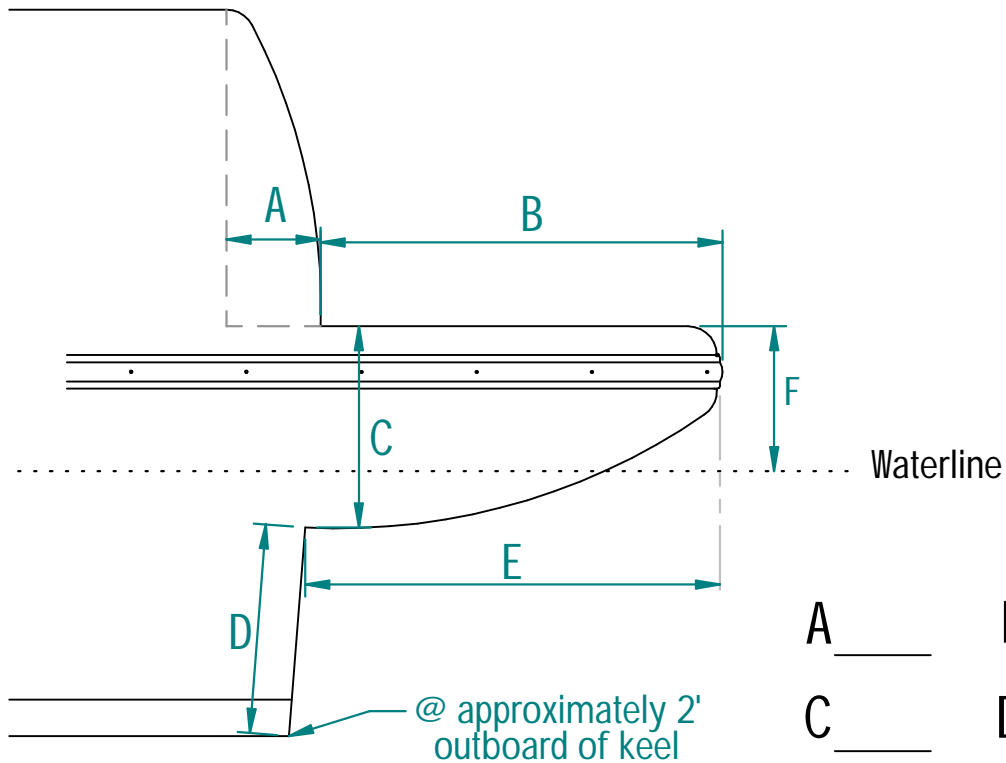




Molded Swim Platform



A _____ B _____
 C _____ D _____
 E _____ F _____

Sern Thruster Yes No

Swim Platform
 Width (port to stbd): _____

Swim Ladder Yes No
 Location: Port Mid Stbd

Vessel DC system voltage:
 12v 24v Other: _____

Return completed form via fax or email:
 Fax: 360-466-3632 Email: sales@laconnermaritime.com

Contact Information		Boat Information		Tender Information		
Name:	Make:	Year:	Length:	Make:	Model:	Beam:
Phone:	Model:	Motor make/model:	Motor HP:	2 stroke <input type="checkbox"/>	4 stroke <input type="checkbox"/>	
Email:	Year: Length: Beam:	Weight:	(boat, motor, fuel, battery, etc.)			